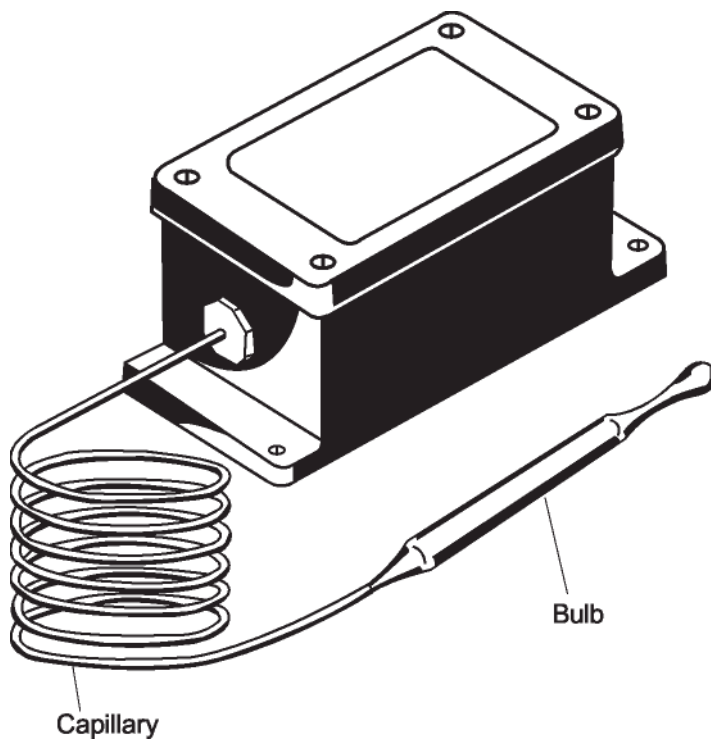




Manufacturing Group, LLC

OTS-F5 THERMOSTAT

CON-TROLS



Description

LMI's OTS-F5 can be used as an ambient sensing thermostat (with capillary coiled) or a line sensing thermostat. Line sensing is when the bulb is attached directly to a pipe. The OTS-F5 has a fixed set point of 40°F. The NEMA 4X (weatherproof and corrosion resistant) enclosure is gray thermoplastic noryl. The OTS-F5 comes with a fluidfilled, nickel-plated bulb which may be used in air, gases, or liquids. The maximum temperature for the sensing bulb is 140°F. The thermostat also features a ten foot capillary. The OTS-F5 comes individually boxed with an instruction sheet.

Applications

OTS-F5 thermostats control heating applications only:

- Pipe Tracing Systems
- Tank Trace
- Permafrost
 - Snowmelt

Approval 

s

- UL Listed

LMI Manufacturing Group, LLC
1802 North Carson Street, Suite 212-2656
Carson City, NV 89701
(P) 866-770-9416
(F) 877-469-3625



Warning: The OTS-F5 thermostat must be installed by a qualified electrician. All assembly, installation, and test instructions must be followed. Improper installation can result in property damage, serious injury or death due to electric shock. Please call LMI at 1-866-770-9416 with any installation or operating questions.

OTS-F5 Specifications

Enclosure	NEMA 4X, Gray thermoplastic noryl
Switch	Single pole, single throw
Set-point	40° F +/- 4° F
Differential	4° F
Electrical Rating	25 Amps at 120-240 VAC 22 Amps at 277 VAC Pilot Duty: 125 VA (120-277 VAC)
Exposure Limits	-30° F to 140° F

